

90cm 3 zone ceramic cooktop with Hob2Hood, triple variable zone, touch controls, and Pause function.



Product Details

FEATURES

Hob2Hood	Triple Zone	Touch on glass controls	Pause
QuickCook Timer	2.3kW powerful zone	Residual Heat Indicator	Child safety lock

Easy clean ceramic surface

BENEFITS

Clear the air with Hob2Hood

With Hob2Hood technology, compatible rangehoods work seamlessly with your induction or ceramic cooktop to clear your kitchen of cooking smells and steam. As you start cooking, the rangehood will automatically turn on then intuitively adjust the fan speed and airflow to match your cooking. How's that for hands-free convenience?

Triple zone, for pots of different sizes

Whether you're using your smallest pan or your larger pot there's an extra large cooking zone to handle them all. With the ability to adjust its diameter into three sizes, this unrivalled flexibility gives you the freedom to create your best meals yet.

Easy touch-on glass control

Total control is at your fingertips with a simple touch on the easy-clean glass control panel.

Hold everything with our clever Pause function

We know that family life is full of distractions. That's why you'll appreciate our clever Pause function. Simply touch the Pause icon on your cooktop and all operating induction zones will drop to the lowest setting. When you're ready to go again, hit Pause again and settings will return to where you left off.

Timed to perfection

Never over-cook or burn dinner again. Just set the cooking time and your cooktop will automatically turn the heat off for you.

Easy Clean Ceramic Surface

Not only aesthetically pleasing, the full glass ceramic hob with touch controls is easy to use and clean and eliminates dirt traps.

Specifications

PRODUCT PROFILE

Domestic warranty details (yrs)	2
Cooktop type	ceramic
Materials/Colour	black ceramic glass
Removable trim (for cleaning)	No

CONTROLS

Controls of Cooktops	touch
Position of controls	front
Functions of Cooktops	timer,Keep warm function,pause
Indicators/display	fault indicator,residual heat warning lamps
Features of Cooktop	safety cut off,electronic timer,safety child lock,hot surface indicator,Hob2Hood
Timer of Cooktop	programmable 99min,countdown

DIMENSIONS

Total product height (mm)	51
Total product width (mm)	900
Total product depth (mm)	410
Cut out width (mm)	825
Cut out depth (mm)	360

ELEMENTS/BURNERS

LEFT FRONT ZONE

Left front zone	ceramic triple
Left front Watts	2300
Left front number of cooking zones	1
Left front diameter mm	210

CENTRE FRONT ZONE

Centre front zone	ceramic
-------------------	---------

Centre front Watts	1200
--------------------	------

Centre front number of cooking zones	1
--------------------------------------	---

Centre front diameter mm	140
--------------------------	-----

RIGHT FRONT ZONE

Right front zone	ceramic
------------------	---------

Right front Watts	1800
-------------------	------

Right front number of cooking zones	1
-------------------------------------	---

Right front diameter mm	180
-------------------------	-----

ELECTRICAL SPECIFICATIONS

Connected load KW	5.3
-------------------	-----

Type of connection	hardwired
--------------------	-----------

SHIPPING

Shipping Volume (m3)	0.093
----------------------	-------

Shipping Weight (Kg)	12.3
----------------------	------

Pack Dimensions Height (mm)	125
-----------------------------	-----

Pack Dimension Width (mm)	1170
---------------------------	------

Pack Dimension Depth (mm)	635
---------------------------	-----

STUFFING QUANTITIES

20ft	136
------	-----

40ft	306
------	-----

STUFFING QUANTITIES

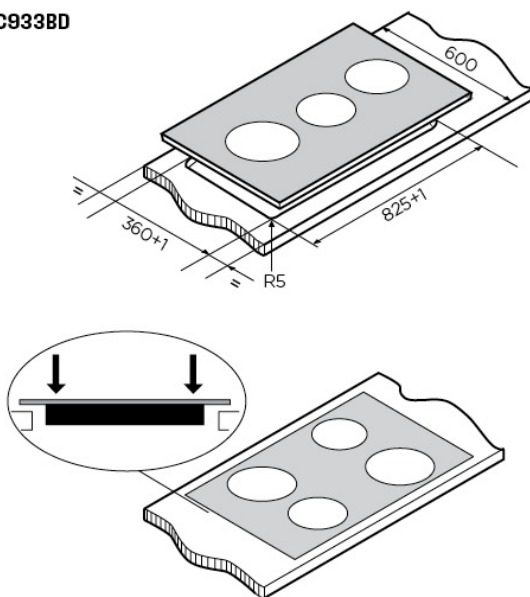
40ft HC	342
---------	-----

Dimensions

90cm electric cooktop

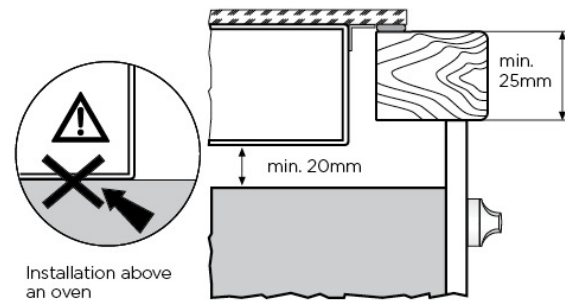
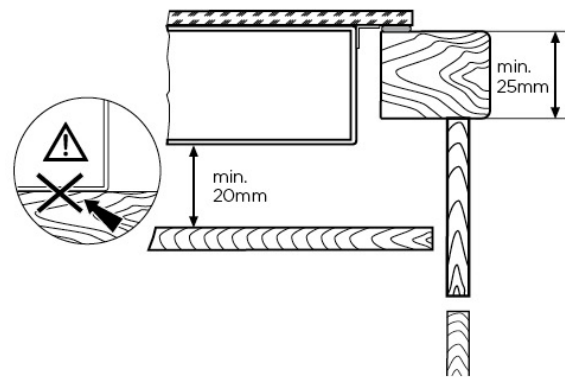
WHC933BD

WHC933BD



 **IMPORTANT**

It is recommended to centre the bench cutout with equal distance front and back as shown but the product has also been certified to be installed with no clearance between the rear edge of the cooktop glass and rear wall if required. In doing so, installers still need to leave sufficient clearance to take into account that the glass dimensions are larger than the cut out.



IMPORTANT

These dimensions are a guide only. All measurements are in millimetres (mm). For complete installation instructions, refer to the manual provided with product.

Terms and Conditions

IMPORTANT

This is a guide of product dimensions only. For complete installation instructions, refer to the manual provided with product.

PRODUCT INFORMATION

The descriptors and illustrations in this publication apply to the specific products and models described as at the date of issue. Under our policy of continuous product development, product specifications may change without notice. Prospective purchasers should therefore check with their retailer to ensure this publication correctly describes the products that are being offered for sale. All information supplied is to be used for general reference purposes only and is on the understanding that Electrolux Home Products Pty Ltd (Australia) and Electrolux (NZ) Ltd (New Zealand) will not be liable for any loss, liability or damage of whatever kind arising as a result of reliance on such information. Colours of products illustrated are as close as printing limitations allow. Electrolux will at all times comply with its obligations pursuant to law including Trade Practices (Australian Consumer Law) Act and Regulations.

WARRANTY

This warranty only applies to Appliances purchased and used in Australia or New Zealand and used in normal domestic applications and is in addition to (and does not exclude, restrict, or modify in any way) any non-excludable statutory warranties in Australia or New Zealand. All warranties are subject to the conditions set out in the warranty card accompanying the product when purchased.

ELECTROLUX HOME PRODUCTS AUSTRALIA

telephone: 1300 363 640

fax: 1800 350 067

email: customercare@electrolux.com.au

web: www.electrolux.com.au

ELECTROLUX HOME PRODUCTS NEW ZEALAND

telephone: 09 573 2230

fax: 09 573 2221

email: customercare@electrolux.co.nz

web: www.electrolux.co.nz